



T-Series Truss Fall Protection

Fall protection systems created for a variety of applications

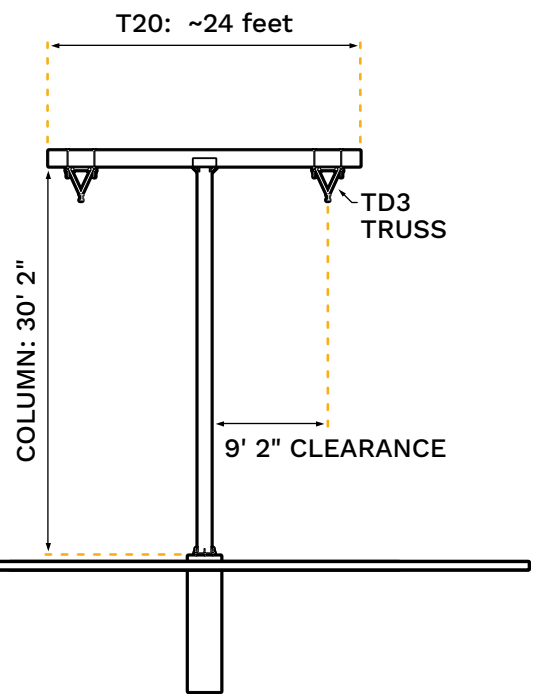
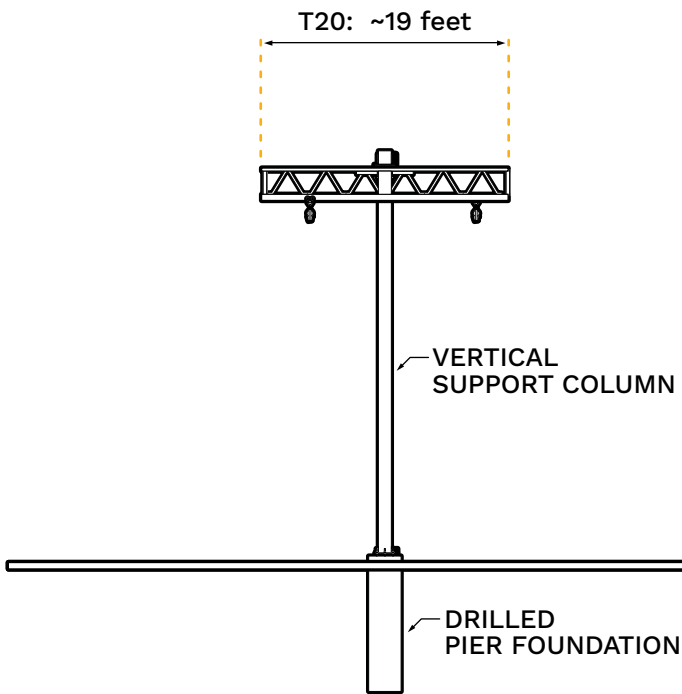
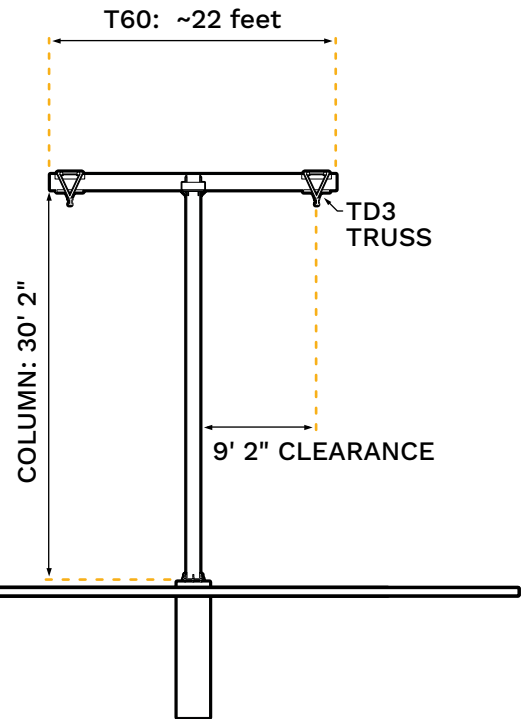
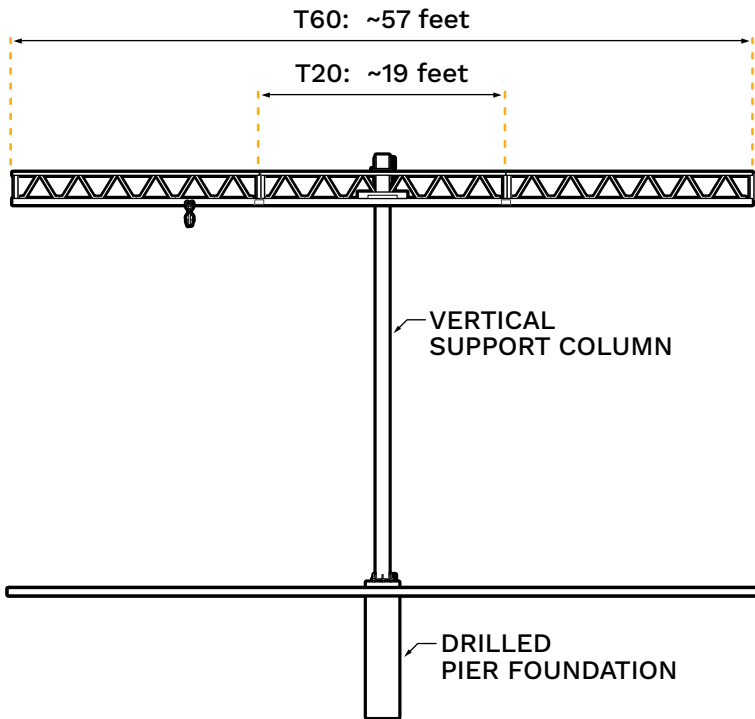
T-series fall protection systems

Trolley-style fall protection systems with rigid rail support columns are typically used for outdoor applications where total fall clearance is minimal. Fall arrest solutions minimize fall distance and deflection and require smaller foundations. The T-series fall protection systems feature a tree-style vertical support column with two overhead fixed anchor points or two trolley rails and two self-retracting lifelines. They are designed to work on a variety of applications including truck tarping, truck or rail hatch opening/closing, rail loading/unloading, and maintenance of machinery or vehicles.



ELEVATION

SECTION



032323A V1 2023