



L-Series Truss Fall Protection

Fall protection systems created for a variety of applications

L-series fall protection systems

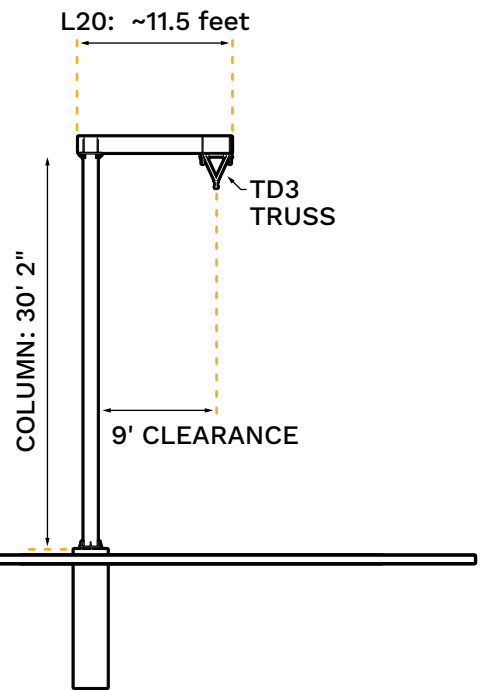
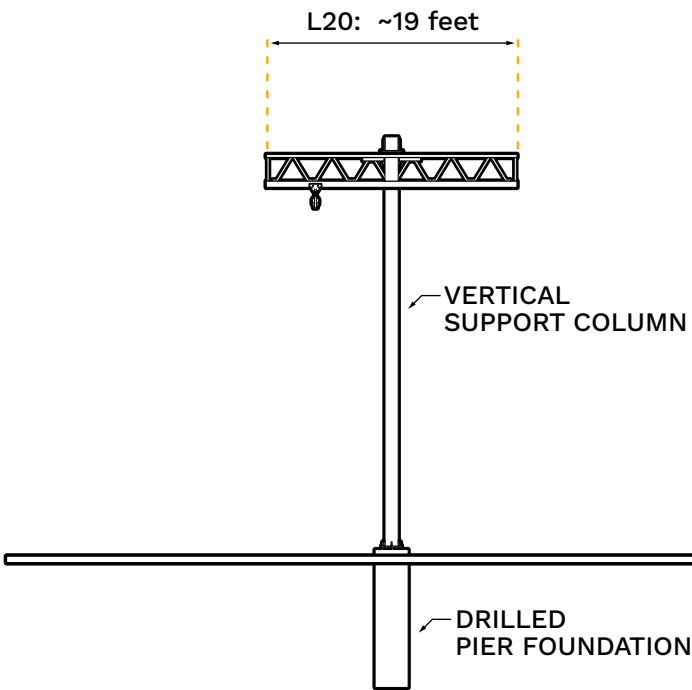
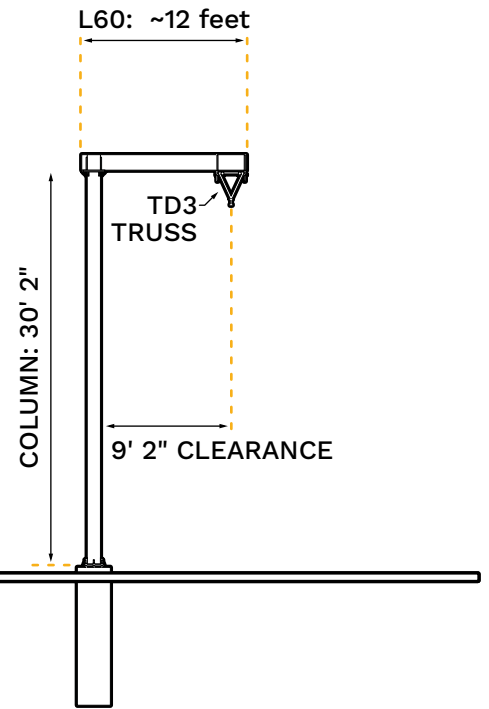
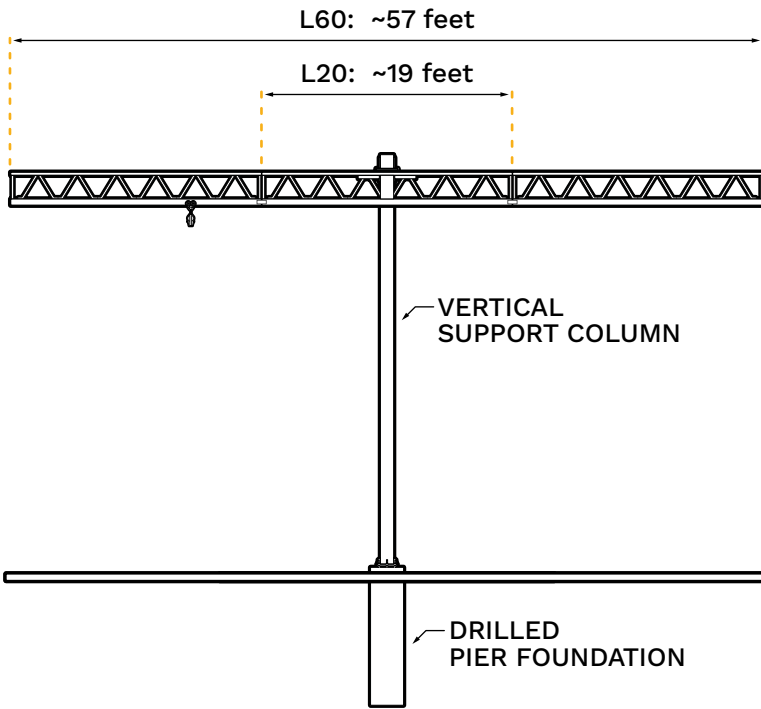
Trolley-style fall protection systems with rigid rail support columns are typically used for outdoor applications where total fall clearance is minimal. Fall arrest solutions minimize fall distance and deflection and require smaller foundations.

L-series fall protection system kits are designed to provide a low-cost solution for a variety of applications including: truck tarping, truck or rail hatch opening/closing, rail loading, and maintenance of machinery or vehicles.



ELEVATION

SECTION



032323B V1 2023