



Portable Fall Protection

Increase On-Site Safety with Freestanding and Mobile Fall Arrest Systems

Engineered portable fall protection systems

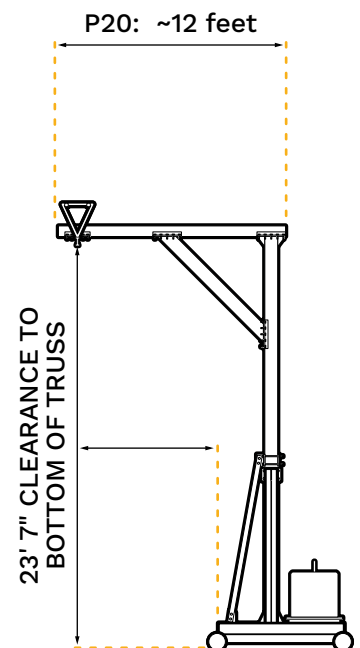
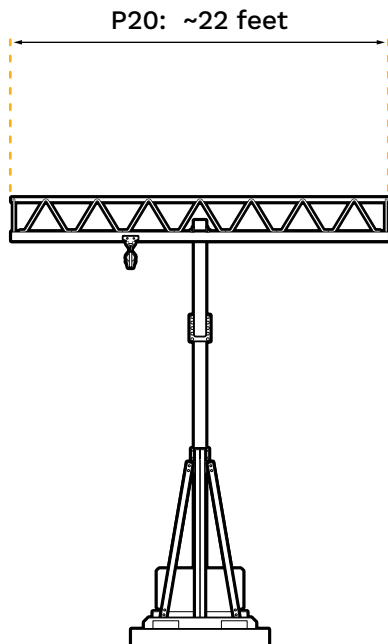
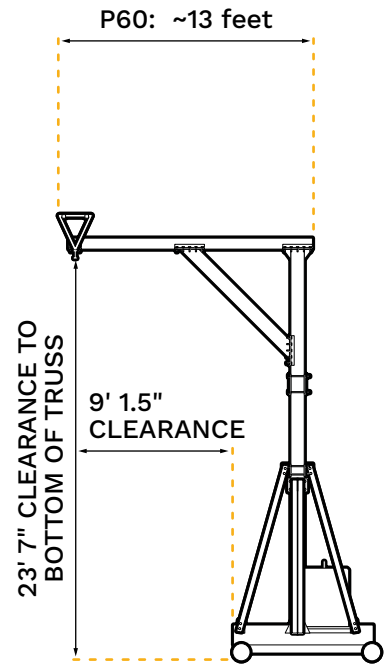
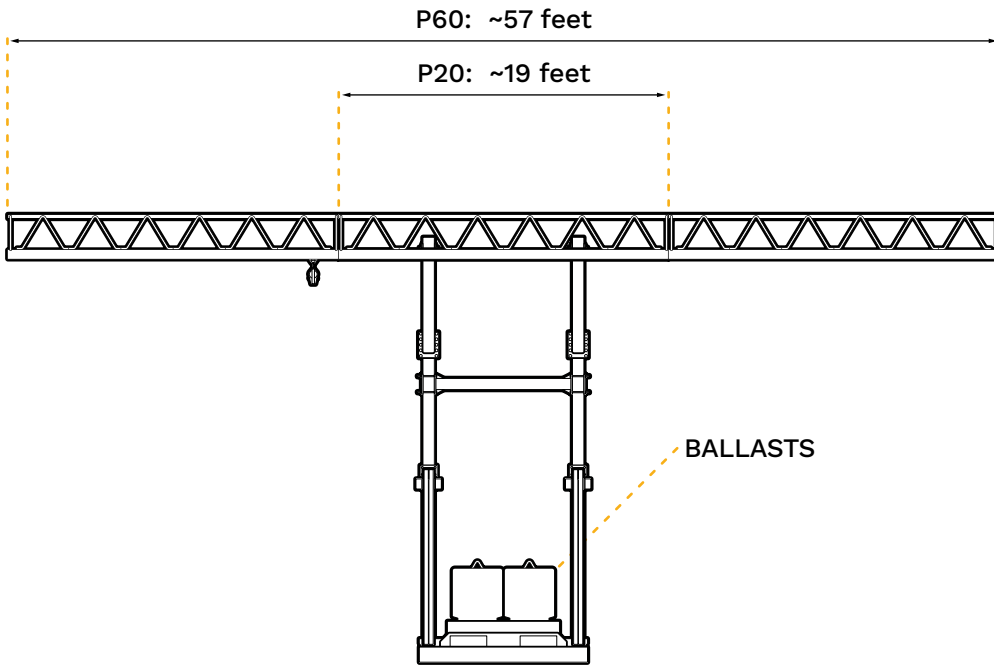
Freestanding and mobile fall arrest systems are portable solutions that can be transported and engineered to meet your specific needs. Mobile fall protection systems are ideal for outside applications that lack permanent overhead anchor points, as well as inside applications that aren't confined to a designated work area.

Fall clearance requirements are always a concern when applications lack permanent anchor points. Triangular Truss portable fall protection systems eliminate the deflection and sag associated with lifeline solutions.



ELEVATION

SECTION



032323C V1 2023