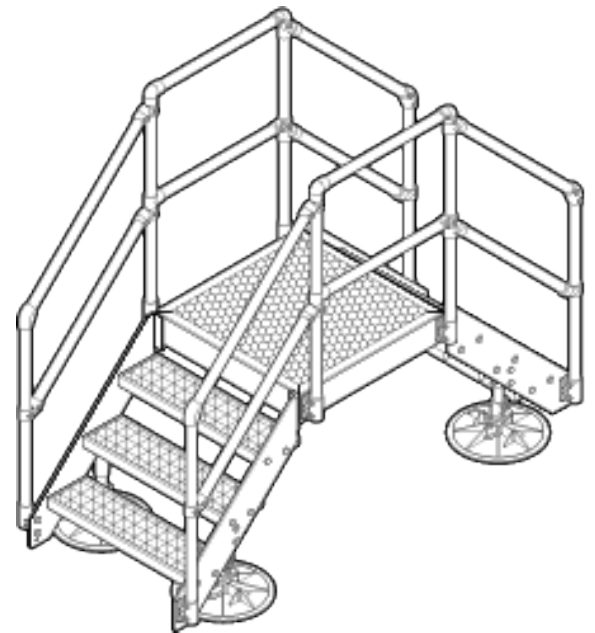




SAFEPRO INDUSTRIAL CROSSOVER STAIR SYSTEM

PERMANENT, DURABLE FALL PROTECTION

Crossover Stairs are an ideal solution to create safe access for employees and contractors needing to traverse parapet walls, duct work, and pipes and other rooftop equipment. Each part number comes in kit form to reduce shipping costs and to reduce load on your roof. Stair treads are made from heavy duty, slip resistant grating. The system rests on polycarbonate bases. Assembly required.



Product Features

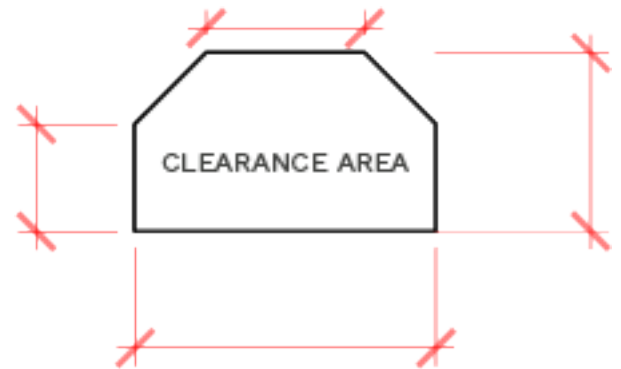
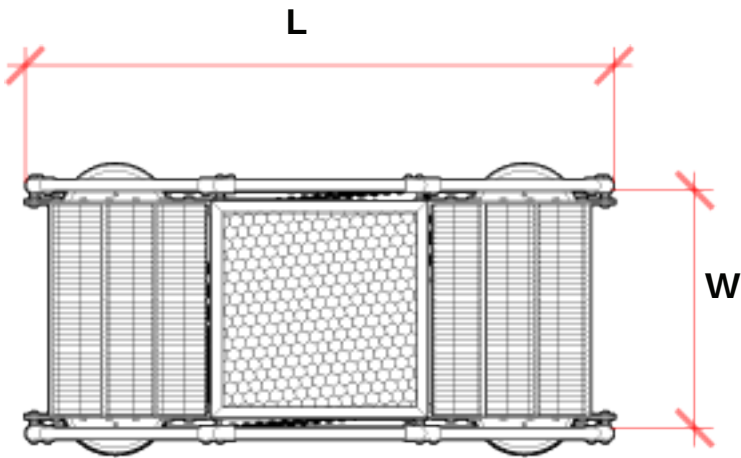
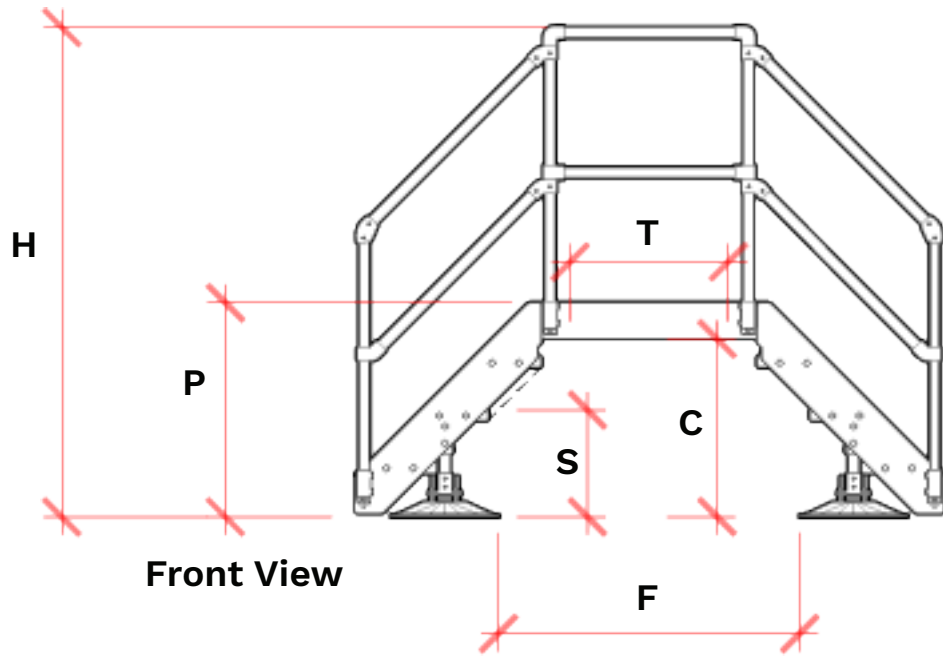
- Non-penetrating polycarbonate base design minimizes the number of roof penetrations required to achieve the desired load rating.
- Each base support comes with two rubber pads to create a protective barrier between concrete base plate and roof surface
- Standard Finish – 12 GA. Hot Dipped Galvanized rails conforming to ASTM A653 G90
- Custom sizes are also available upon request



CONTACT US

Phone: (877) 723-3570
info@safeprosafety.com
safeprosafety.com

TOTAL STEPS	HEIGHT (H)	PLATFORM HT (P)	LENGTH (L)	CLEARANCE (C)	SPAN AT C (T)	SPAN AT FEET (F)	CLEARANCE AT F (S)	WIDTH (W)
2	7.75	26.75	80.5	20.75	36	32.5	20.75	39.5
3	81.5	35.5	98	29.5	26.3	50	17.75	39.5
4	90.25	44.25	115.5	38.25	26.3	67.5	17.75	39.5
5	99	53	133	47	26.3	85	17.75	39.5
6	107.75	61.75	150.5	55.75	26.3	102.5	17.75	39.5
7	116.5	70.5	168	64.5	26.3	120	17.75	39.5



CONTACT US

Phone: (877) 723-3570
info@safeprosafety.com
safeprosafety.com



Scan this code to learn more about SafePro Products