

Connect Safe™ Portable Truss Anchor Kits

**Fast and easy fall
protection where
and when you
need it!**

About Connect Safe™

Connect Safe™ portable truss anchor kits are the easy, cost-effective alternative to permanent single-point anchors. They connect to your existing overhead truss system without requiring penetrating installation and install in minutes.

- OSHA 1926.502 and ANSI Z359.1 compliant
- Fast and easy installation
- 310 lb. single user rating
- Compatible with K, KCS, LH, and DHL truss systems



Elevating safety standards

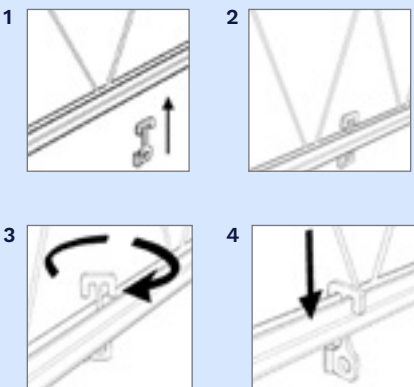
FallProtect.com

How to install Connect Safe™ Portable Truss Anchor Kits

Installation is simple.

- First, thread the anchor on the telescoping extension pole included with the kit.
- Attach the self-retracting lifeline and position the anchor between the bottom truss cord angles.
- Rotate 90 degrees and set on the angles.

The Connect Safe portable truss anchor kit is rated for single user on K, KCS, LH, or DLH series truss systems.



Available anchor kit options

Choose from two lifeline lengths and your choice of with or without body harness.

KIT NUMBER	SELF-RETRACTING LIFELINE	BODY HARNESS
PTAR11W	11' DBI/SALA Rebel Web SRL	Not included
PTAR11WH	11' DBI/SALA Rebel Web SRL	DBI/SALA Delta Harness
PTAR20W	20' DBI/SALA Rebel Web SRL	Not included
PTAR20WH	20' DBI/SALA Rebel Web SRL	DBI/SALA Delta Harness

*All kits include an OSHA-compliant portable truss anchor, SRL, 18' telescoping installation pole, and user manual.

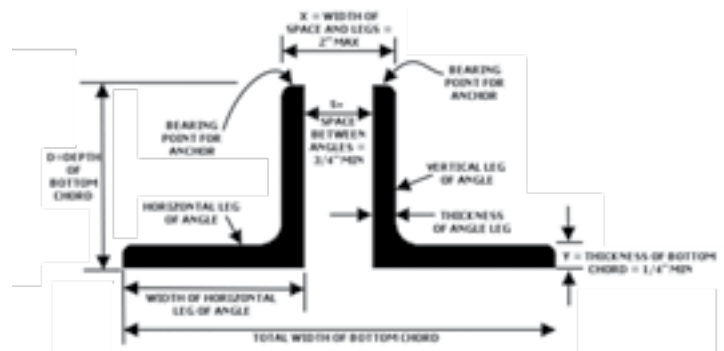
Important safety notes

Truss anchor locations must be approved by a safety engineer or qualified person and meet all safety requirements noted in the user manual.

Anchors should be located between two panel points, as close as possible to panel points.

- Do not install at the end of a truss
- Do not install between first and second panel point

Truss span must be able to withstand a concentrated load of 900 lbs. with a safety factor of 2 for certified anchorages and 5,000 lbs. for non-certified anchorages.



Elevating safety standards

FallProtect.com

24400 Sperry Drive
Westlake, OH 44145

For more information,
talk to a fall protection specialist
at (800) 504-4016.

Represented by: