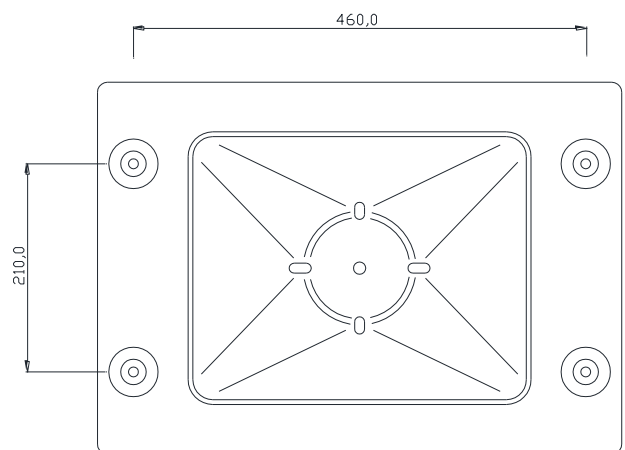
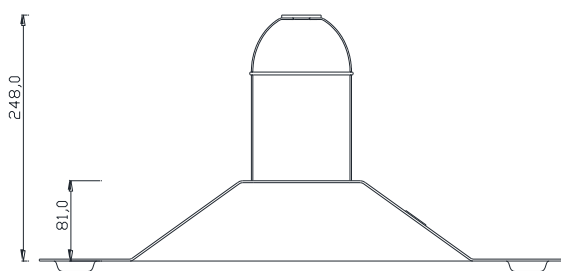
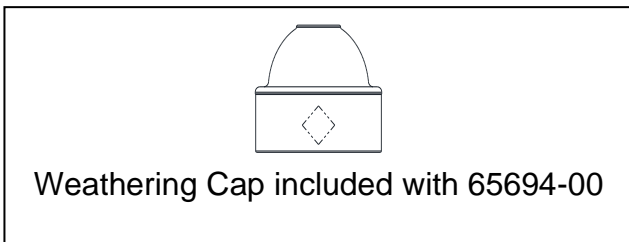
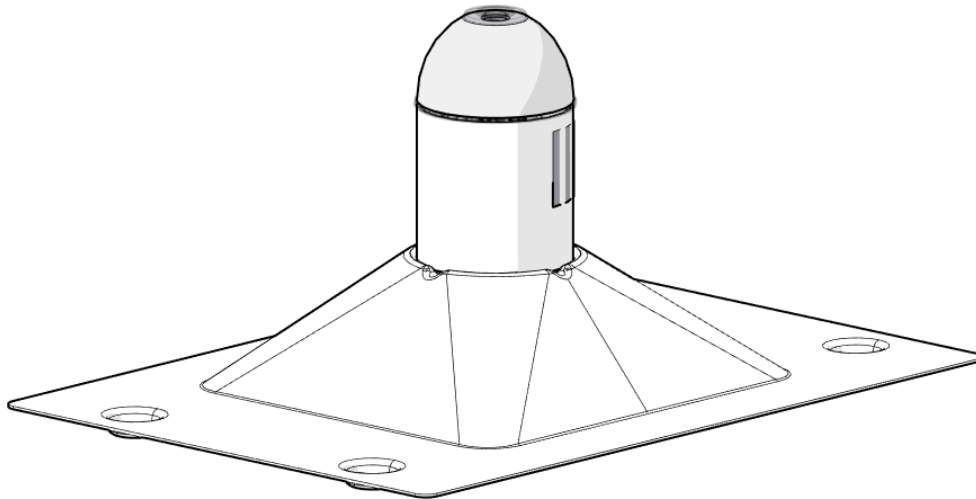


Constant Force Post (CFp) Green Roof CFP



Part Number	Description
65691-00	Green roof CFP for PVC membranes
65692-00	Green roof CFP for Bitumen membranes/EPDM
65693-00	Green roof CFP for TPO membranes
65694-00	Green roof CFP CW Weathering cap

Technical Datasheet:

Materials

Base plate	Stainless steel 1.4306, powder coated (Black)
Body	Aluminium, powder coated
Dome	316s stainless steel, electropolished
Insulating rings	Glass filled nylon 66
Internal assembly	316s stainless steel

Coatings

Part number	Coating	
	Baseplate	Post body
65691-00	Plascoat, PVC weldable coating	Powder coated RAL7038 Agate grey
65692-00	Powder coated RAL7038 Agate grey	Powder coated RAL7038 Agate grey
65693-00	Talisman TPO weldable coating	Powder coated SD001E Talisman Beige
65694-00	Powder coated RAL 9005 Jet Black	Powder coated RAL 9005 Jet Black

Strength

Initial yield force 2.7 kN
 Continuous deployment force of 10 kN (typical)
 Ultimate strength after full deployment greater than 20 kN

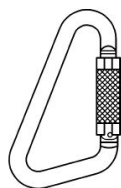
Approval

Tested in accordance with BS EN795 & CEN TS16415 in Type A & C

Quality control

100% visual inspection on all critical items
 100% inspection gauging
 100% visual inspection of sub and final assemblies
 Batch conformance tested to ultimate strength

Notes



Karabiner



Snap hook

When used as a class A2 single point anchor and a karabiner type connector is to be attached to the D-ring, use D-ring 85030-00 or 85032-00

When used as a class A2 single point anchor and a snap hook type connector is to be attached to the D-ring, use D-ring 85032-00 this will avoid the connector from becoming unintentionally detached which is referred to as 'roll-out'

MSA Latchways[®] Horizontal lifelines



Technical Datasheet:

Revision history

Reference	Date issued	Revision	Engineer
EP0340	March-2023	-05	AW