

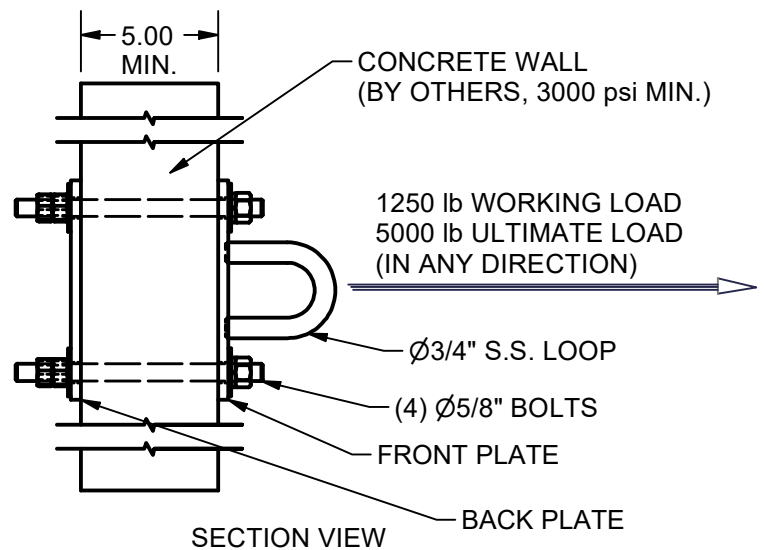
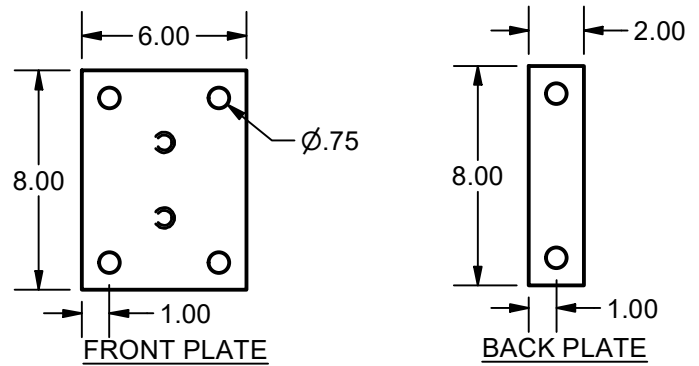
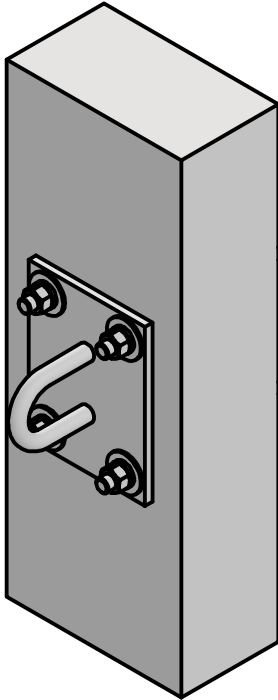


DIVERSIFIED FALL PROTECTION

TECHNICAL DATA SHEET BOLT THROUGH WALL ROOFTOP ANCHOR®

INFORMATION:

- THIS ROOFTOP ANCHOR® HAS BEEN DESIGNED TO MEET OR EXCEED OSHA 1910 AND 1926.
- DESIGNED FOR A 5,000 LB ULTIMATE LOAD IN ANY DIRECTION
- IT IS RECOMMENDED THAT THE ANCHORAGE BE LOCATED, INSTALLED AND TESTED BY A QUALIFIED INDIVIDUAL AS REQUIRED BY OSHA
- AVAILABLE WITH HOT DIP GALVANIZED, THERMAGALV OR STAINLESS STEEL



FAILURE TO COMPLY WITH MANUFACTURER'S INSTALLATION AND USE PROCEDURE MAY RESULT IN PROPERTY DAMAGE, PERSONAL INJURY OR DEATH. ONLY QUALIFIED PERSONS EXPERIENCED IN THESE INSTALLATION METHODS SHALL INSTALL ROOFTOP ANCHOR'S EQUIPMENT. IF METHOD OF INSTALLATION IS NOT UNDERSTOOD, DO NOT ATTEMPT TO INSTALL THIS EQUIPMENT. THE OPERATOR OF THIS EQUIPMENT IS RESPONSIBLE TO BE TRAINED IN THE CORRECT USAGE AND MAINTENANCE OF THIS EQUIPMENT BY A COMPETENT PERSON. IF METHOD OF USE IS NOT UNDERSTOOD, DO NOT ATTEMPT TO USE THE EQUIPMENT. ALL EQUIPMENT SHALL BE INSPECTED ANNUALLY AND RE-CERTIFIED AT PERIODS NOT TO EXCEED 10 YEARS BY A QUALIFIED PERSON.

PROPRIETARY AND CONFIDENTIAL
THE INFORMATION CONTAINED IN THIS DRAWING IS THE SOLE PROPERTY OF ROOFTOP ANCHOR, INC.
ANY REPRODUCTION IN PART OR AS A WHOLE WITHOUT WRITTEN PERMISSION OF ROOFTOP ANCHOR, INC. IS PROHIBITED.
sales@rooftopanchor.com (801) 839-2294 www.rooftopanchor.com www.fallprotect.com