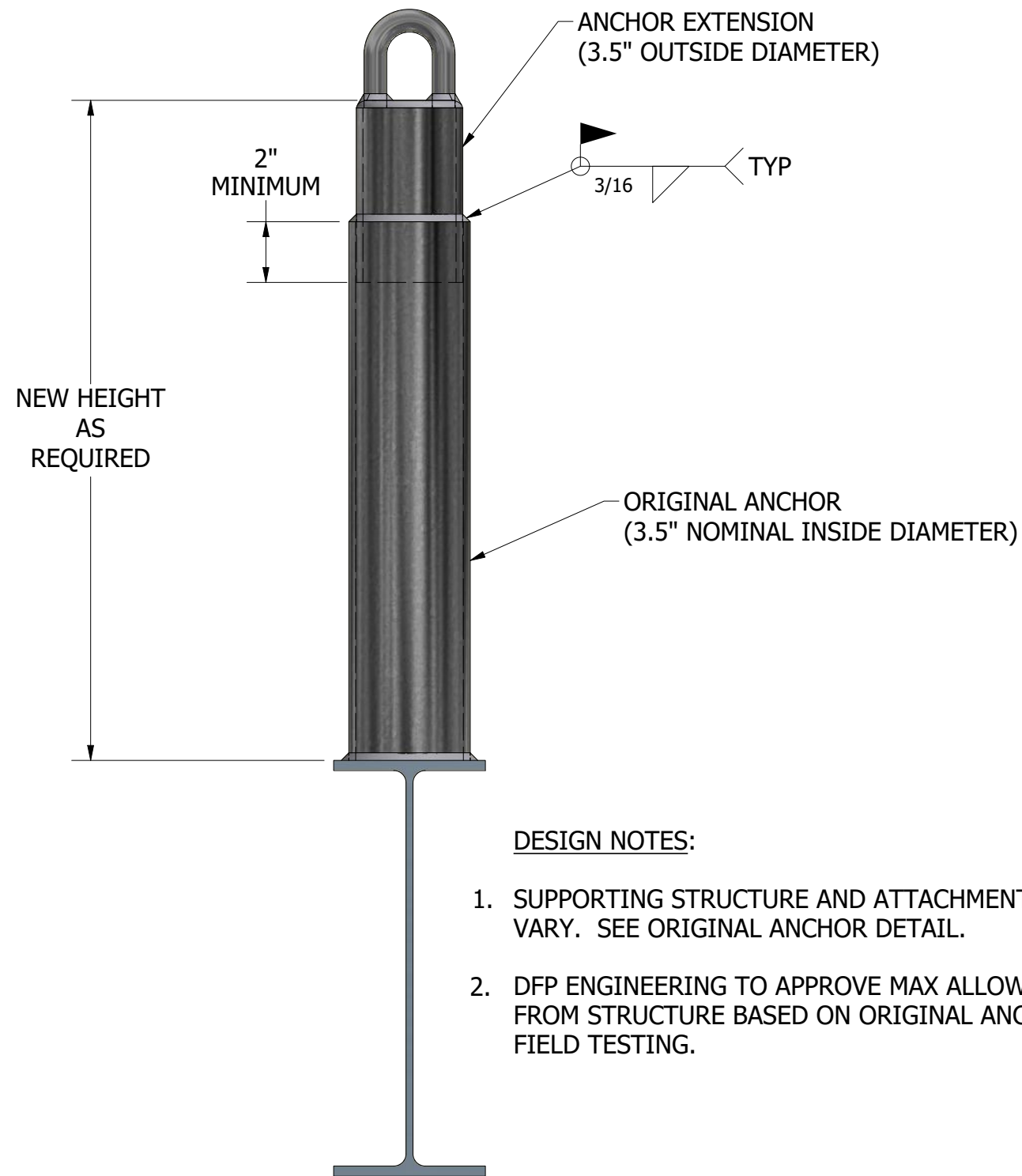
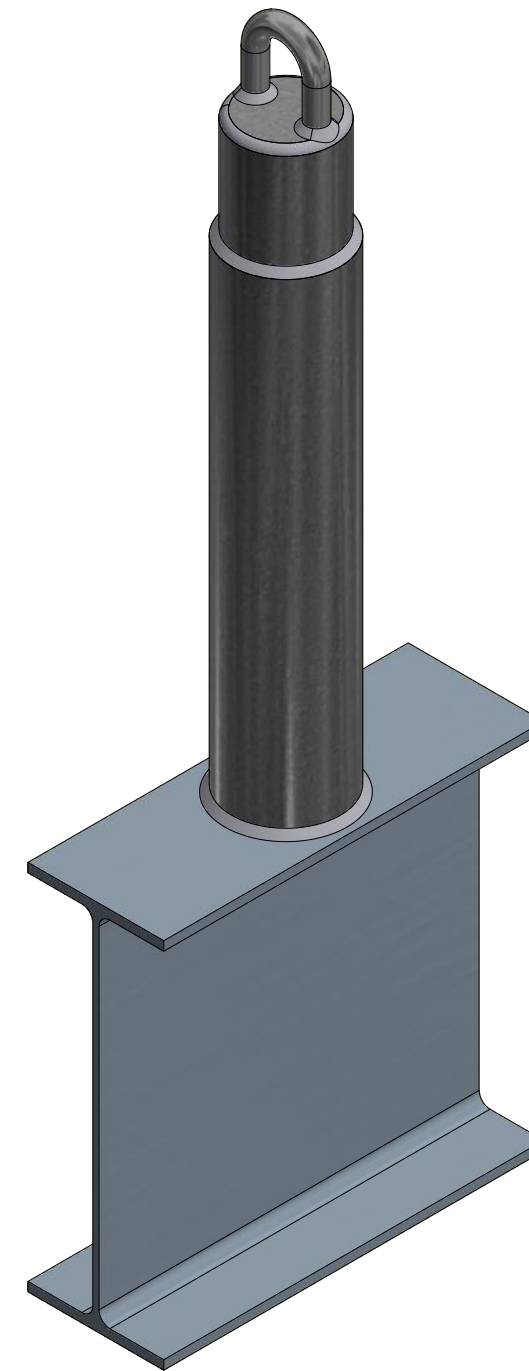


INSTALL NOTE: ORIGINAL CAP PLATE AND U-BAR
SHALL BE REMOVED TO FACILITATE
EXTENSION INSTALLATION



DESIGN NOTES:

1. SUPPORTING STRUCTURE AND ATTACHMENT DETAIL MAY VARY. SEE ORIGINAL ANCHOR DETAIL.
2. DFP ENGINEERING TO APPROVE MAX ALLOWABLE HEIGHT FROM STRUCTURE BASED ON ORIGINAL ANCHOR DETAIL OR FIELD TESTING.



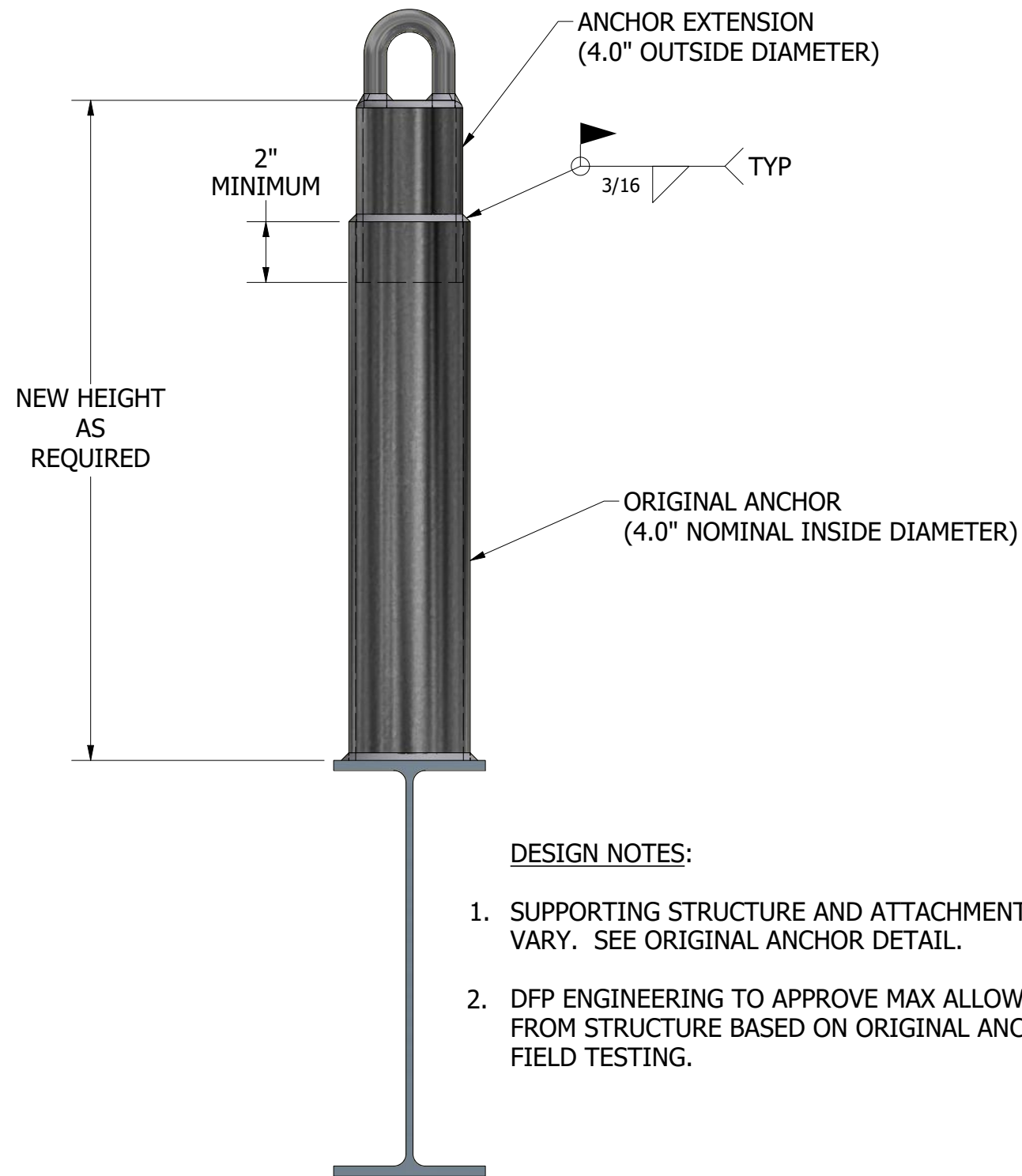
4.0" OD ROOF ANCHOR WITH HEIGHT EXTENSION

RATED LOAD: 1,250 lbs
FRACTURE LOAD: 5,000 lbs

THESE DRAWINGS ARE THE PROPERTY OF DIVERSIFIED FALL PROTECTION LLC, AND SHALL NOT BE USED, COPIED, OR REPRODUCED WITHOUT WRITTEN PERMISSION.

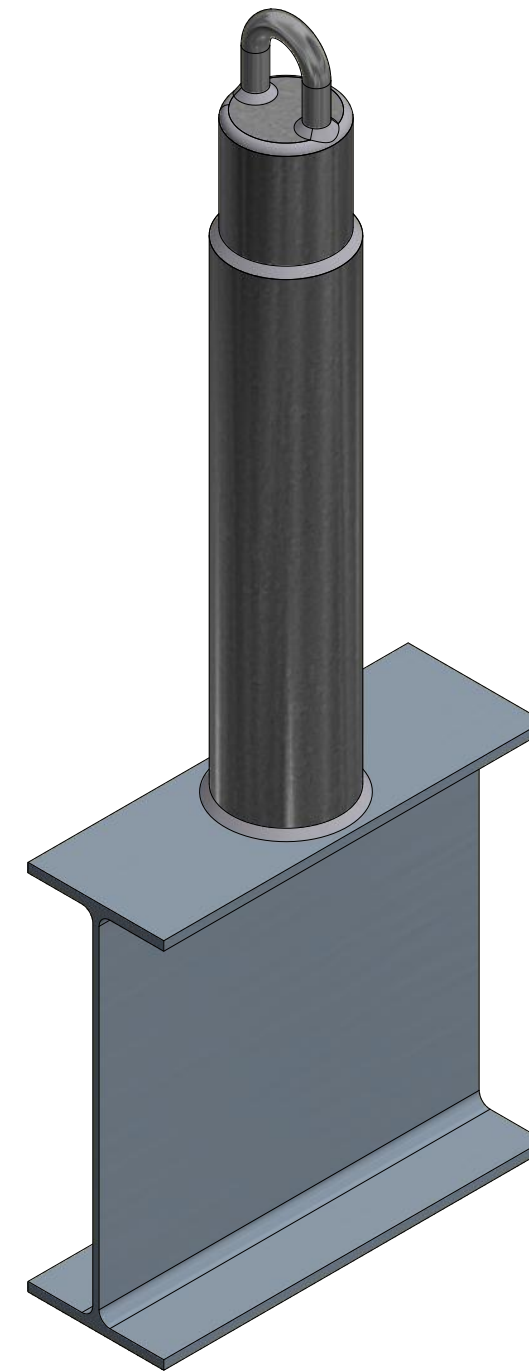


INSTALL NOTE: ORIGINAL CAP PLATE AND U-BAR
SHALL BE REMOVED TO FACILITATE
EXTENSION INSTALLATION



DESIGN NOTES:

1. SUPPORTING STRUCTURE AND ATTACHMENT DETAIL MAY VARY. SEE ORIGINAL ANCHOR DETAIL.
2. DFP ENGINEERING TO APPROVE MAX ALLOWABLE HEIGHT FROM STRUCTURE BASED ON ORIGINAL ANCHOR DETAIL OR FIELD TESTING.



4.5" OD ROOF ANCHOR WITH HEIGHT EXTENSION

RATED LOAD: 1,250 lbs
FRACTURE LOAD: 5,000 lbs

THESE DRAWINGS ARE THE PROPERTY OF DIVERSIFIED FALL PROTECTION LLC, AND SHALL NOT BE USED, COPIED, OR REPRODUCED WITHOUT WRITTEN PERMISSION.

