



Fall Protection

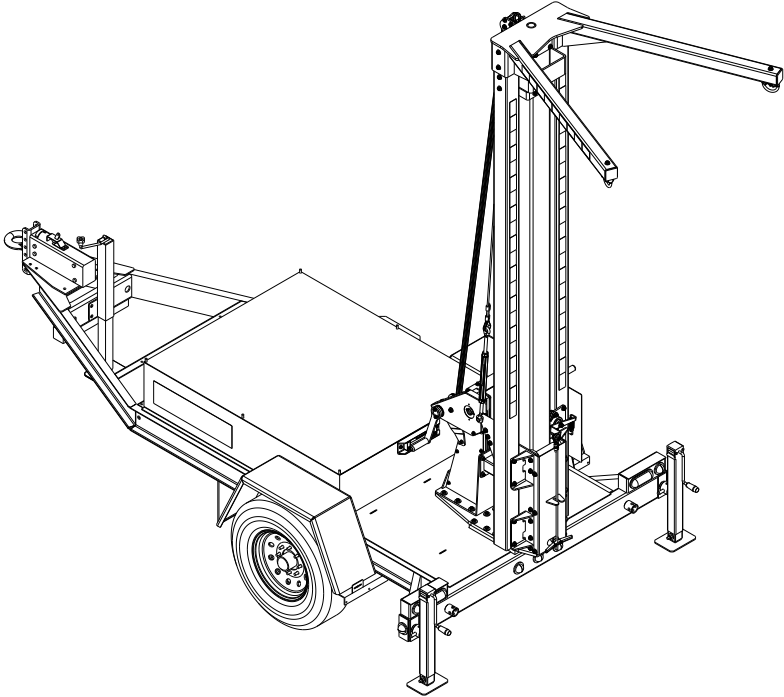
OSHA 1926.502
OSHA 1910.140

**3M™ DBI-SALA® Flexiguard™
Counterweight Trailer
Fall Arrest System**

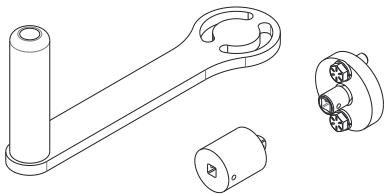
**TECHNICAL DATA SHEET
5908062 REV. A**

Callout	Technical Data Sheet	Description	Page
A	8530690	Counterweight Trailer Specifications	2
		Counterweight Trailer Components	3
		Counterweight Trailer Working Area	4
B	8548000	Drive Clutch	5
C	8540850	Jack Pads	5
D	8530678	Tool Box	6

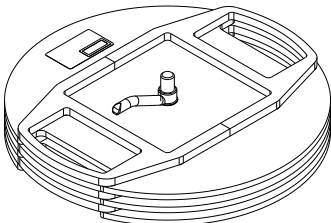
A



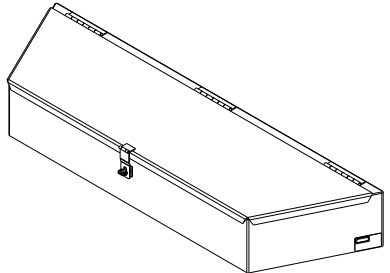
B



C



D



Counterweight Trailer

Technical Data Sheet: 8530690

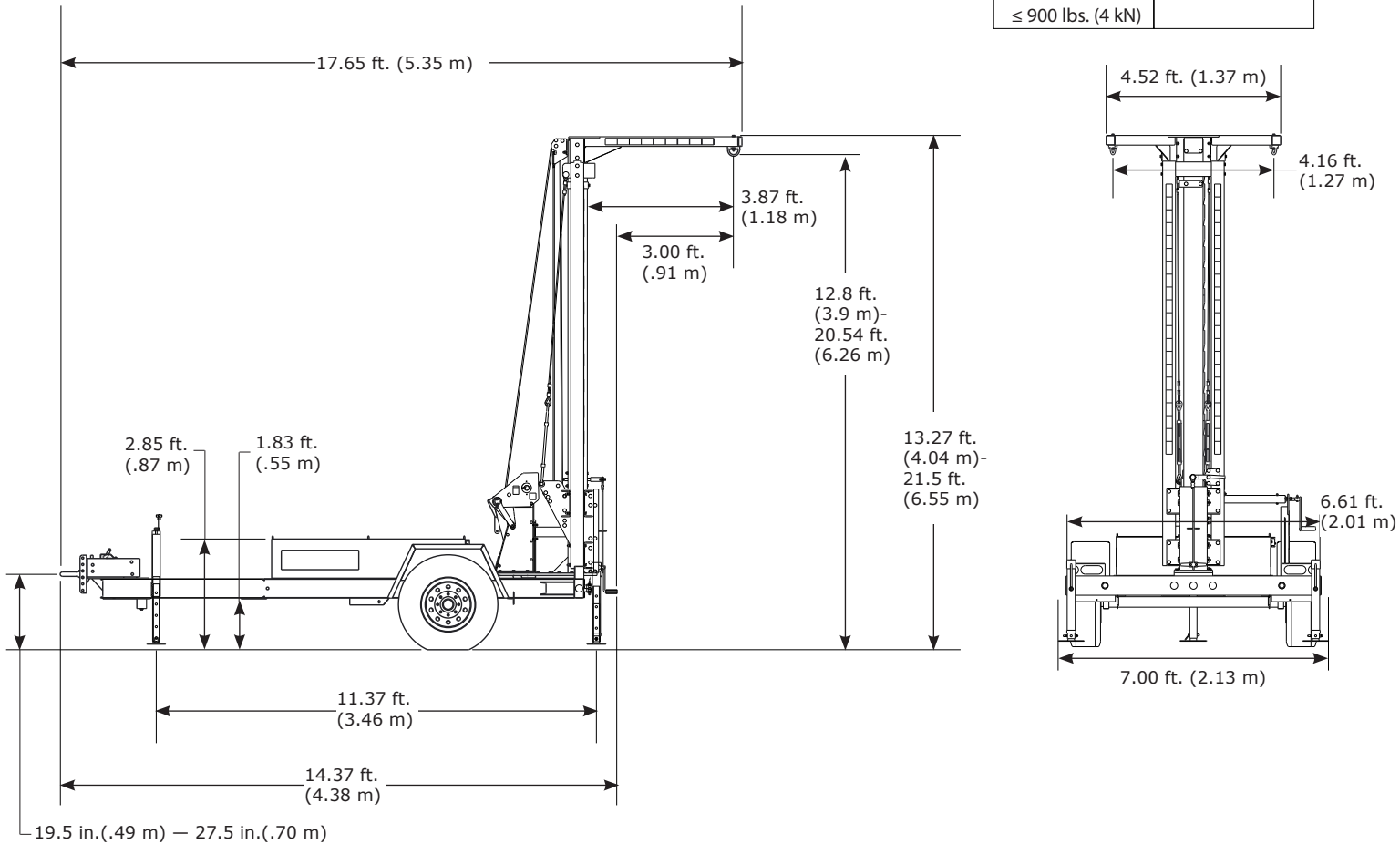
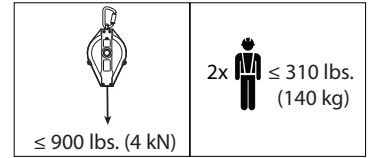


Fall Protection

APPLICATION:

The Counterweight Trailer is designed to provide anchorage connection points for a Fall Arrest system. This product is rated for off-road use only and is not allowed for use on highways or public roads. The Counterweight Trailer is designed to be free standing and does not require the weight of a vehicle for Fall Protection use.

For more information on product installation, refer to the 3M instruction manual for the Counterweight Trailer (5903620).



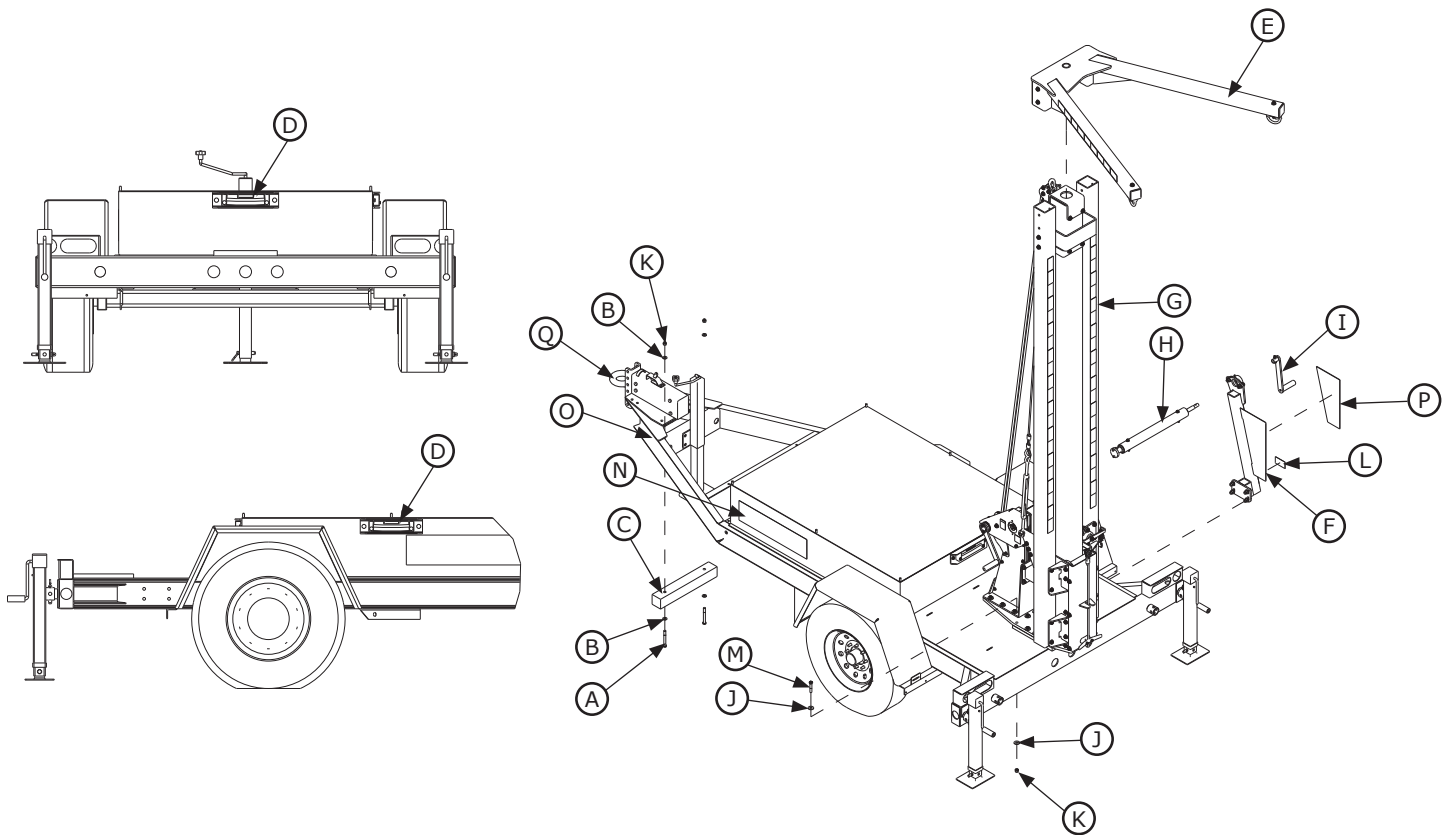
System Specifications:	
System Weight:	5,500 lb. (2,495 kg)
Tongue Weight:	550 lb. (250 kg)
Maximum Transport Speed:	10 mph (16 kph)
Trailer Features:	6K Dexter Tortion Axle Hydraulic Surge Brakes 7K HD Stabilizing Jacks Adjustable Pintle Hitch 7-Pole RV Plug Connector LED lights with sealed wiring harness

Counterweight Trailer Components

Technical Data Sheet: 8530690



Fall Protection



Component Specifications:

Part Number	Component	Material	Quantity	Part Number	Component	Material	Quantity
(A) 8510034	1/2" x 4 1/2" Bolt	Steel	2	(J) 9501243	1/2" Flat Washer	Steel	20
(B) 8510037	1/2" Flat Washer	Steel	4	(K) 9501831	1/2" Lock Nut	Steel	12
(C) 8547952	Steel Bar	Steel	1	(L) 9504547	ID Label	Polyester	1
(D) 8548977	Slope Indicator	Plastic	1	(M) 9505877	1/2" x 2 3/4" Bolt	Steel	10
(E) 8549007	Head Assembly	Steel	1	(N) 9506926	Logo Label	Polyester	2
(F) 8549009	Pedestal Assembly	Steel	1	(O) 9511322	Trailer	Steel	1
(G) 8549019	Upright Assembly	Steel	1	(P) 9520789	Instruction Label	Polyester	1
(H) 8549041	Drive Extension Shaft	Steel	1	(Q) 8549885	Pintle Hitch	Steel	1
(I) 8549045	Drive Handle	Steel	1				

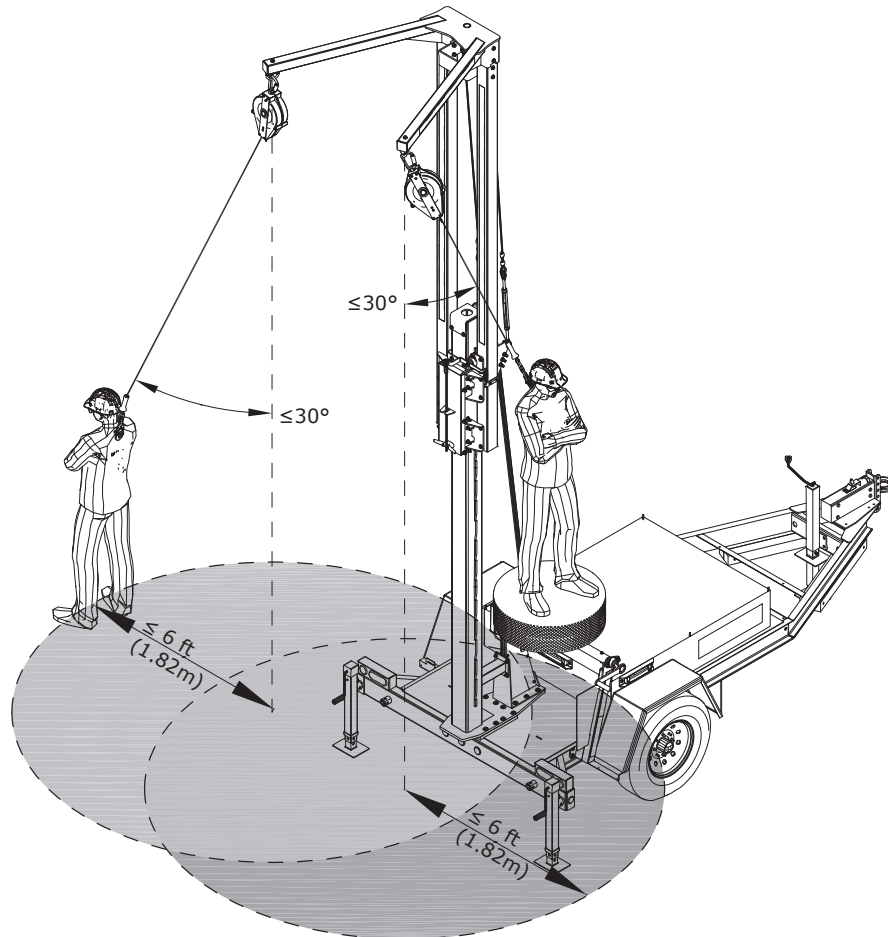
Counterweight Trailer Working Area

Technical Data Sheet: 8530690



APPLICATION:

Refer to the diagram below for the working area of the Counterweight Trailer.



Counterweight Trailer Accessories

Technical Data Sheet: 8548000, 8540850

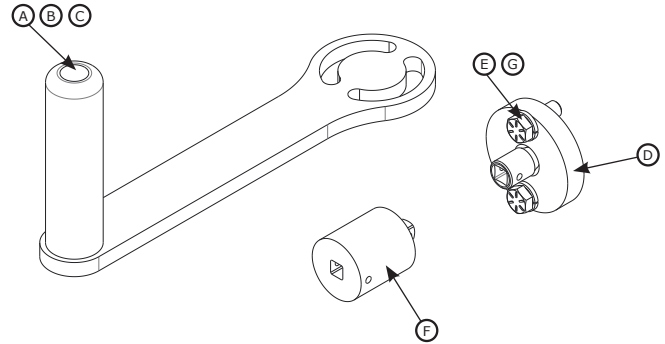


APPLICATION:

The Drive Clutch is designed to be attached to the 8530690 system to raise and lower the upright using a 3/8" Torque Wrench. For more information on product installation, refer to the 3M instruction manual for the Drive Clutch (5903622).

	Weight
8548000	4 lb. (2 kg)

Component List				
	Part Number	Description	Material	Quantity
(A)	8511905	Handle	Plastic	1
(B)	8512031	Handle Screw	Steel	1
(C)	9500826	3/8" Washer	Steel	1
(D)	8547909	Clutch Adapter	Steel	1
(E)	9501793	3/8" Lock Washer	Steel	2
(F)	9511490	Torque Limiter	Steel	1
(G)	9512075	3/8" x 1" Bolt	Steel	2

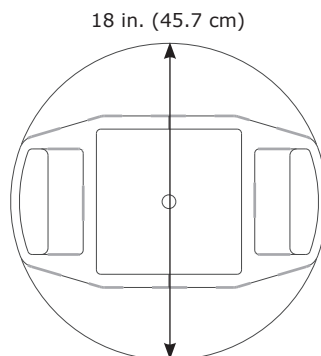
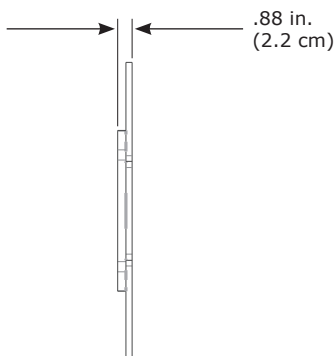
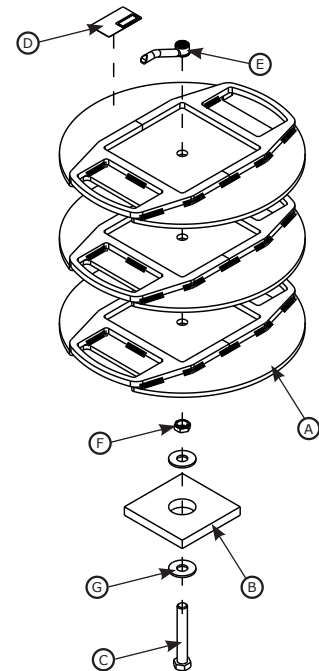


APPLICATION:

The Jack Pads are designed for supporting the 8530690 stabilizing jack feet when soil conditions are too soft or unstable. For more information on product installation, refer to the 3M instruction manual for the Jack Pads (5903626).

	Weight
8548050	35 lb. (16 kg)

Component List				
	Part Number	Description	Material	Quantity
(A)	8547978	Jack Pad	Aluminum	3
(B)	8547074	Foam Pad	Neoprene	1
(C)	9500469	3/4" x 5" Bolt	Steel	1
(D)	9504547	ID Label	Polyester	1
(E)	9511572	Nut Handle	Steel	1
(F)	9511575	3/4" Hex Nut	Steel	1
(G)	M970033018	3/4" Washer	Steel	2



Counterweight Trailer Accessories

Technical Data Sheet: 8530678



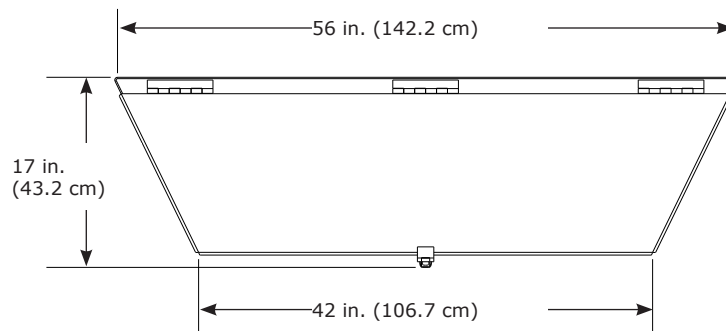
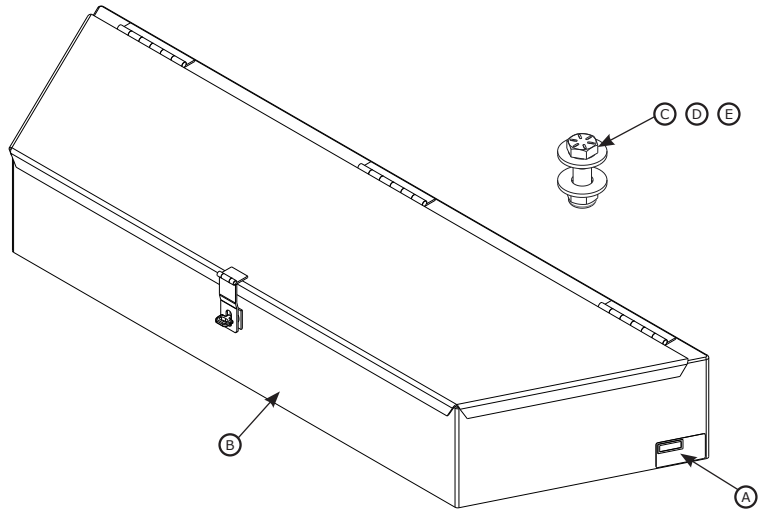
APPLICATION:

The Tool Box Kit is designed to attach to the Counterweight Trailer (8530690) for storage.

For more information on product installation, refer to the 3M instruction manual for the Tool Box (5903647).

Weight	
8530678	100 lb. (45 kg)

Component List				
	Part Number	Description	Material	Quantity
(A)	9504547	ID Label	Polyester	1
(B)	9511593	Tool Box	Steel	1
(C)	9500983	3/8" x 1 1/4" Bolt	Steel	5
(D)	9503645	3/8" Washer	Steel	10
(E)	9505716	3/8" Nut	Steel	5





Fall Protection

USA

3833 SALA Way
Red Wing, MN 55066-5005
Toll Free: 800.328.6146
Phone: 651.388.8282
Fax: 651.388.5065
3Mfallprotection@mmm.com

Brazil

Rodovia Anhanguera, km 110
Sumaré - SP
CEP: 13181-900
Brasil
Phone: 0800-013-2333
falecoma3m@mmm.com

Mexico

Av. Santa Fe No. 190
Col. Santa Fe, Ciudad de Mexico
CP 01219, Mexico
Phone: 01 800 120 3636
3msaludocupacional@mmm.com

Canada

260 Export Boulevard
Mississauga, ON L5S 1Y9
Phone: 905.795.9333
Toll-Free: 800.387.7484
Fax: 888.387.7484
3Mfallprotection-ca@mmm.com

EMEA (Europe, Middle East, Africa)

EMEA Headquarters:
Le Broc Center
Z.I. 1re Avenue - BP15
06511 Carros Le Broc Cedex
France
Phone: + 33 04 97 10 00 10
Fax: + 33 04 93 08 79 70
informationfallprotection@mmm.com

Australia & New Zealand

137 McCredie Road
Guildford
Sydney, NSW, 2161
Australia
Toll-Free : 1800 245 002 (AUS)
Toll-Free : 0800 212 505 (NZ)
3msafetyaucs@mmm.com

Asia

Singapore:
1 Yishun Avenue 7
Singapore 768923
Phone: +65-6450 8888
Fax: +65-6552 2113
TotalFallProtection@mmm.com

China:

38/F, Maxdo Center, 8 Xing Yi Rd
Shanghai 200336, P R China
Phone: +86 21 62753535
Fax: +86 21 52906521
3MFallProtecton-CN@mmm.com

Korea:

3M Korea Ltd
20F, 82, Uisadang-daero,
Yeongdeungpo-gu, Seoul
Phone: +82-80-033-4114
Fax: +82-2-3771-4271
TotalFallProtection@mmm.com

Japan:

3M Japan Ltd
6-7-29, Kitashinagawa, Shinagawa-ku, Tokyo
Phone: +81-570-011-321
Fax: +81-3-6409-5818
psd.jp@mmm.com

WEBSITE:
3M.com/FallProtection



EU DECLARATION OF CONFORMITY:
3M.com/FallProtection/DOC