



TECHNICAL DATA SHEET
STANDARD ROOF HATCH RAIL

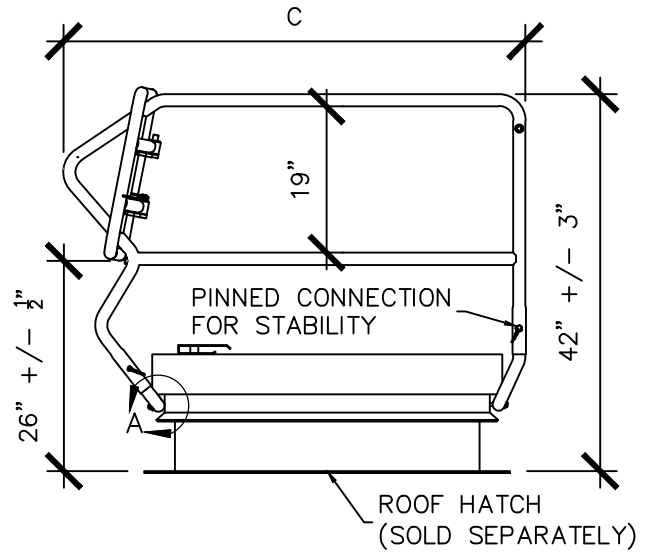
SAFETY PRODUCTS

INFORMATION

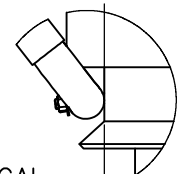
- GRAVITY/SPRING ASSISTED CLOSING MECHANISM
- WITHSTANDS THE REQUIRED 200 LBS LOAD AS SPECIFIED BY OSHA
- GATE AND SIDE RAILS ARE ERGONOMICALLY DESIGNED TO BE AN EXTENSION OF THE LADDER
- HATCHES WITHOUT DRIP EDGES HAVE AN ADAPTER BRACKET FOR ATTACHMENT
- PACKAGE DIMENSIONS: VARIES
- PRODUCT WEIGHT: 65 LBS

MATERIALS

- PIPE: MILD STEEL TUBE, O.D. 1.5"
- FINISH: POWDER COAT SAFETY YELLOW OR HOT DIP GALVANIZED
- PLASTIC END CAPS TO PREVENT WATER INFILTRATION
- BOLTS: S.S. GRADE 2 WITH COMPATIBLE NUTS AND WASHERS
- PINS: STAINLESS STEEL



ROOF HATCH SIZE	A X B
HATCH DRIP EDGE SIZE	E X F



HATCH RAIL DIMENSION GUIDE

	3030	3630	3036	3054	4848	3096
A	30	36	36	36	48	30
B	30	30	36	54	48	96
C	51	48	54	75	69	117
D	48	57	48	48	66	48
E	33 ³ / ₄	39 ³ / ₄	33 ³ / ₄	33 ³ / ₄	51 ³ / ₄	33 ³ / ₄
F	33 ³ / ₄	33 ³ / ₄	39 ³ / ₄	57 ³ / ₄	51 ³ / ₄	99 ³ / ₄

NOTE: DIMENSIONS IN INCHES

DISTANCE FROM VERTICAL PORTION OF DRIP EDGE

DETAIL A

