

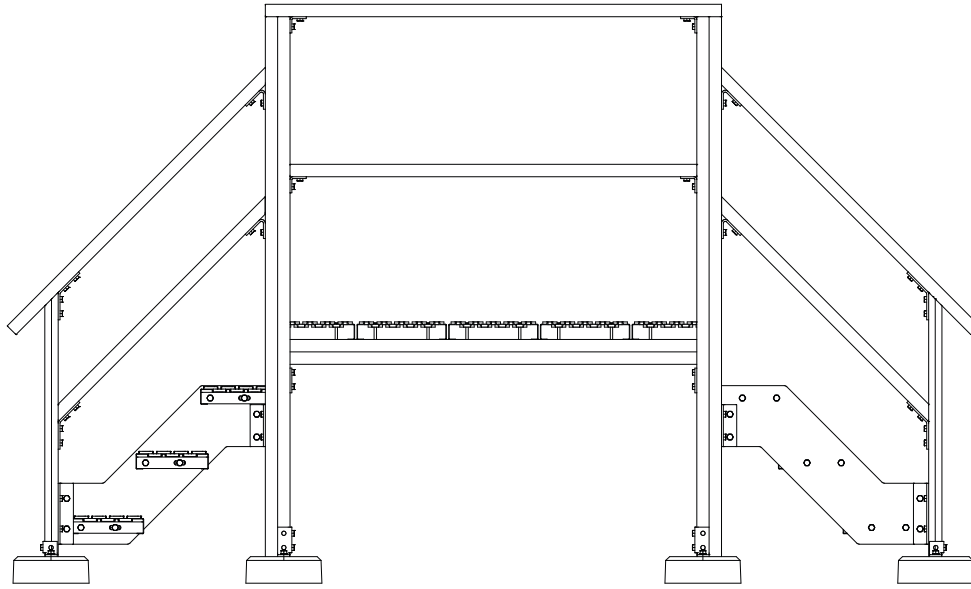
Rooftop Crossover Solutions

Protect your roof and personnel with custom crossover solutions from Unistrut service company

Kitted Rooftop Crossovers

Crossover Stairs are custom designed to meet both project and design specifications. Stair treads are made from heavy duty grating. The system rest upon 100% recycled rubber bases and provides a safe pathway over conveyors, pipes and other obstacles.

- Non-penetrating designs prevent roof leaks.
- Custom made to specifications
- In-house engineering
- Solutions for all roof types
- Made in USA



Part #	# of Steps	Clear Height Dimension A	Width Dimension B	Platform Height Dimension C*	Overall Length Dimension D
C36x060-3	3	1' - 8 1/4"	36"	By Customer	8' - 3 1/8"
C36x060-4	4	2' - 4 3/4'	36"	By Customer	9' - 8 1/4"
C36x060-5	5	3' - 1 5/16"	36"	By Customer	12' - 1 1/4"
C36x060-6	6	3' - 9 13/16"	36"	By Customer	12' - 6 1/8"
C36x060-7	7	4' - 6 1/4"	36"	By Customer	13' - 11 3/8"

*3ft minimum



Unistrut Service Company
 24400 Sperry Drive, Cleveland, OH 44145
 800-694-9274
www.unistrutohio.com
webinquiry@unistrutohio.com