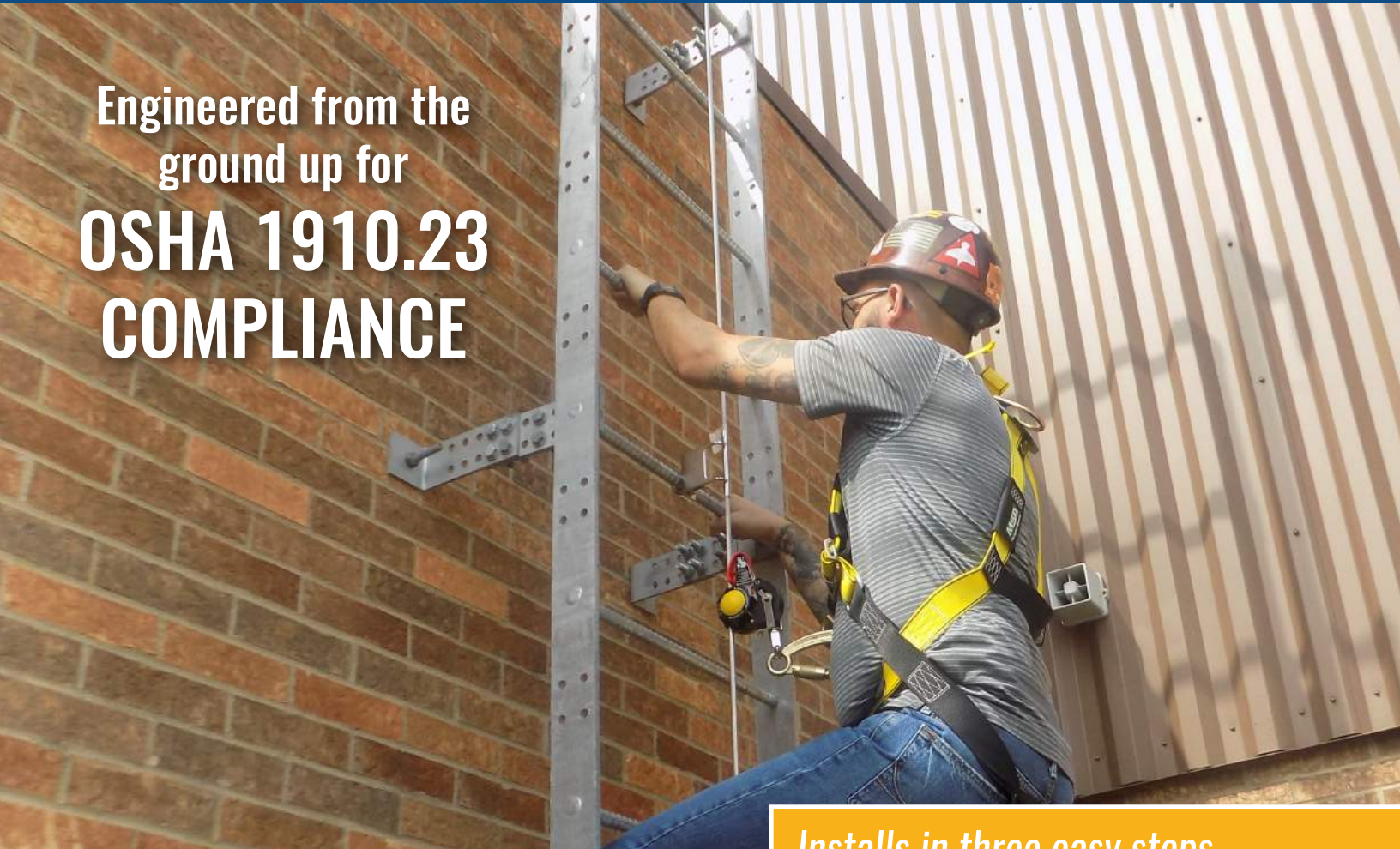


# **EZ SERIES** FIXED ACCESS LADDERS

Patent Pending

Engineered from the  
ground up for  
**OSHA 1910.23  
COMPLIANCE**



*Installs in three easy steps* ———



**1** ATTACH MOUNTING  
BRACKETS



**2** PLACE RUNG  
IN BRACKET



**3** SECURE WITH BOLT-  
ON CAPTURE PLATE

# THE FASTEST INSTALLING - EASIEST CLIMBING - LONGEST LASTING - FIXED ACCESS LADDER SYSTEM

Patent Pending

## Faster, Safer Climbs

- The widest rail to rail and terminal pass through dimensions in the industry provide safe access and easily accomodates vertical lifeline installation
- Flat stock side rails for secure hand holds
- Grooved rungs for enhanced traction



## Built for the Long Haul

- Carbon steel with standard hot dipped galvanized finish outlasts powder coated ladders
- The only fixed ladder with a limited lifetime warranty
- Made in the USA

# BETTER LADDERS BY DESIGN

Patent Pending

EZ Series Ladders reduce installation times  
**by 50%**

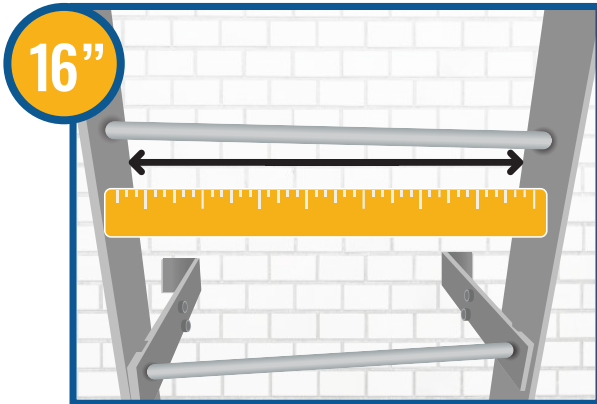
- Engineered side rails allow for precise placement of bolt-on stand-off brackets, eliminating the need for field modifications
- Stand-off brackets adjust from 7-1/2" to 14" to work around obstructions and ensure OSHA compliance
- Universal stand-off brackets mount ladder to side of building or concrete below



Features	EZ Series Ladders	Competing Brands
Rung Width	20"	16"
Walk Through	30"	24"
Stand-Off Brackets	Bolt On, With Vertical/Horizontal Adjustability	Permanently Welded
Floor/Bottom Mount	Yes	No
Side Rail Construction	3" Flat Stock	2" x 2" Angle
Standard Finish	Hot Dipped Galvanized	Powder Coated
Freight Costs	10' Max Modular Sections Reduce Freight Costs	Over Length LTL Surcharges Apply

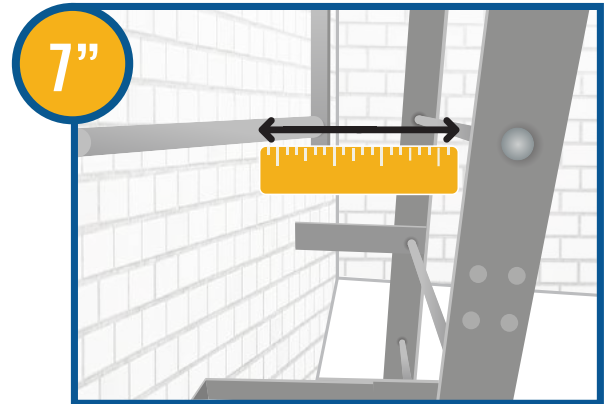
# 5 IMPORTANT MEASUREMENTS FOR OSHA - COMPLIANT FIXED ACCESS LADDERS

**24 Feet** The following measurements all related to fixed (permanently mounted) access ladders that reach **24 feet or more above a lower level.**



**Climbing width: must be a minimum of 16 inches.**

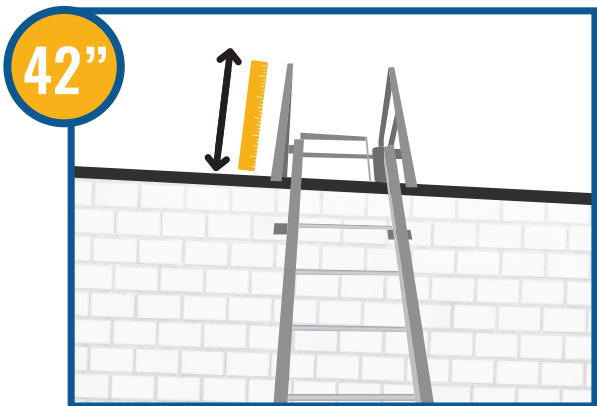
*Per OSHA 1910.23 (b) (4)*



**A stand-off distance of 7 inches.**

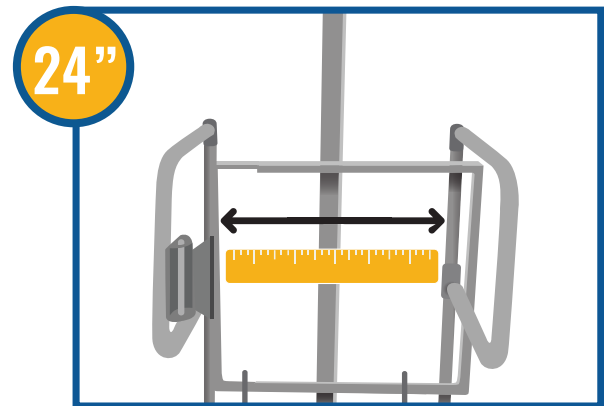
7 inches minimum must be measured from the mid-point of the ladder rung to the nearest permanent object in back of the ladder. Be sure to allow safe clearance including any permanent obstructions in your calculation.

*Per OSHA 1910.23 (d) (2)*



To protect the worker exiting a ladder, OSHA requires a **42-inch high grab bar extension** above the access level or landing platform at the top of the ladder.

*Per OSHA 1910.23 (d) (4)*

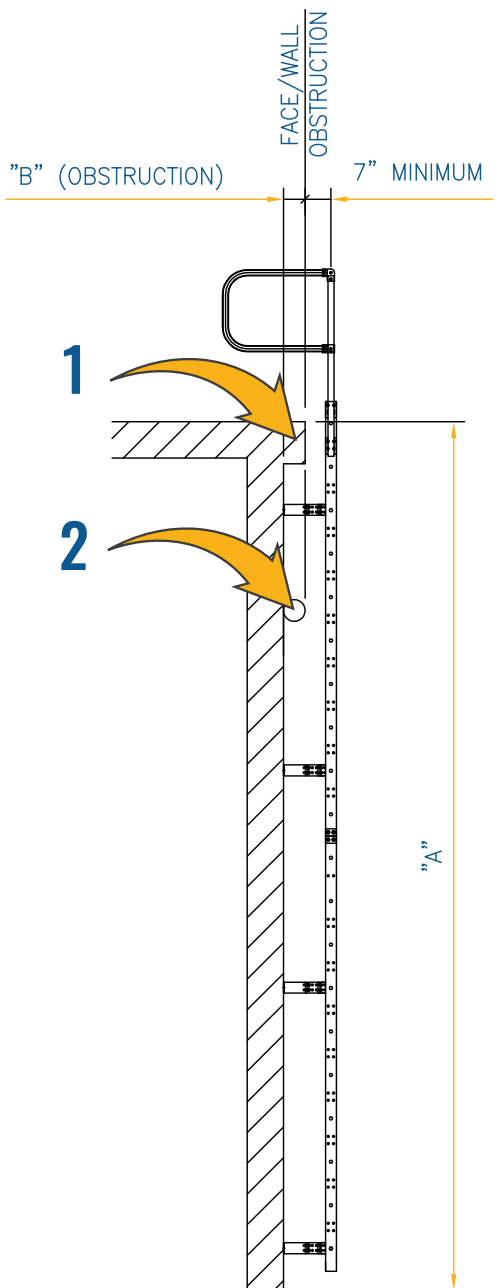


The (required) extension above the top access level must be **at least 24 inches wide** (to accommodate the width of climber's body). The extension can be no more than 30 inches wide, (36 inches if a ladder lifeline is provided) allowing the climber to easily reach both hand rails.

*Per OSHA 1910.23 (d) (5)*

# MEASURING FOR LADDER LENGTH AND STAND-OFF DISTANCE

## Pass Through Fig. 1



OSHA compliance requires fixed ladders to have a minimum of 7" of clear distance from the ladder rungs' center line to the building INCLUDING ANY PERMANENT OBSTRUCTIONS.

**(Measurement B, figure 1)**

Common obstructions to consider when ordering and installing ladders include:

1. Roof or gutter overhang
2. Pipe or conduit
3. Parapet walls

## How to Measure for Proper Ladder Length

### • Pass Through Applications:

Measure from the point at which the climber steps off to within 14 inches of lower surface **(Measurement A, figure 1)**.

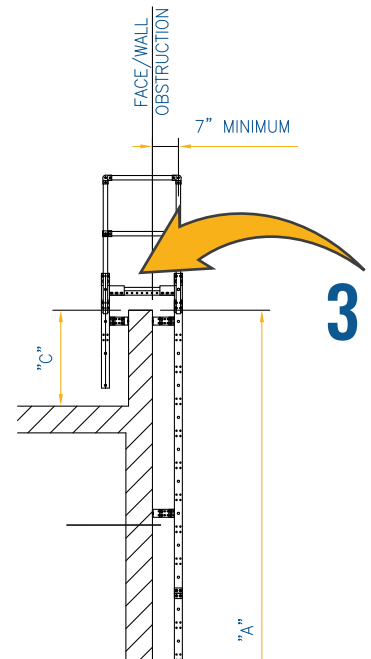
### • Parapet Wall Applications:

Measure both top of parapet wall to within 14 inches of lower level AND top of parapet wall to roof surface as two ladders are typically required. **(Measurement A and C, figure 2)** Specify the Universal Parapet Cross Over Kit when ordering.

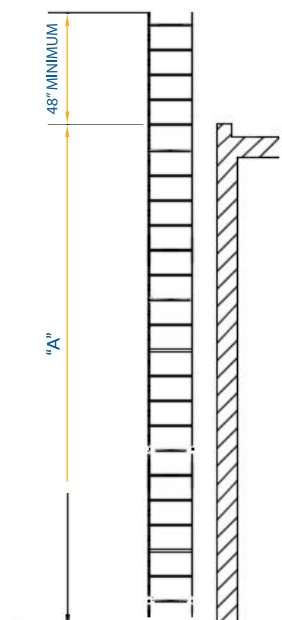
### • Side Step Applications:

Measure from the point where the climber steps off the ladder to within 14 inches of lower level PLUS 48 INCHES **(Measurement A, figure 3)**.

## Parapet Cross Over Fig. 2

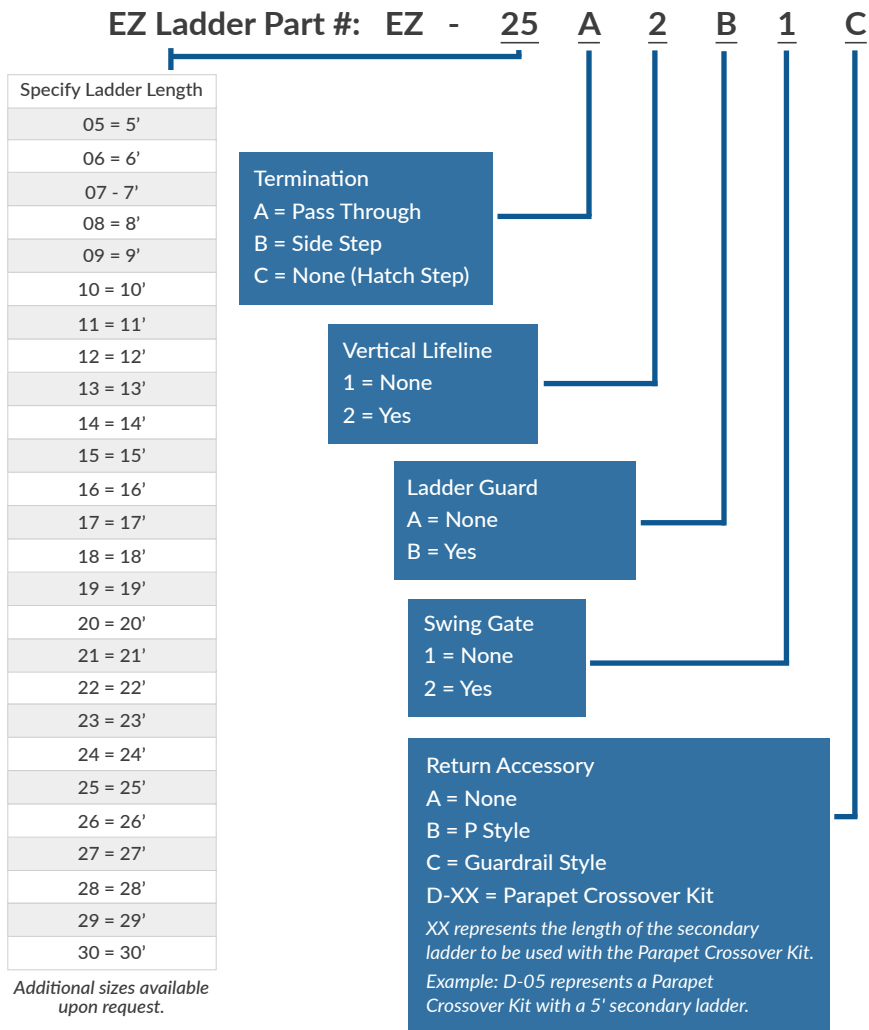


## Side Step Fig. 3



# EZ SERIES FIXED ACCESS LADDERS ORDERING INFORMATION

Patent Pending



Additional sizes available upon request.

**ORDER EXAMPLE**

Part Number: EZ-25-A-2-B-1-C

Part Description:  
 25-foot ladder with pass through termination, vertical lifeline, ladder guard, NO swing gate, and a guardrail-style return.

## EZ Ladder System Accessories:



Swing Gate



Ladder Guard



Vertical Lifeline



Parapet Crossover Kit



24400 Sperry Drive • Cleveland, OH 44145  
**440-348-9460**

Represented By: